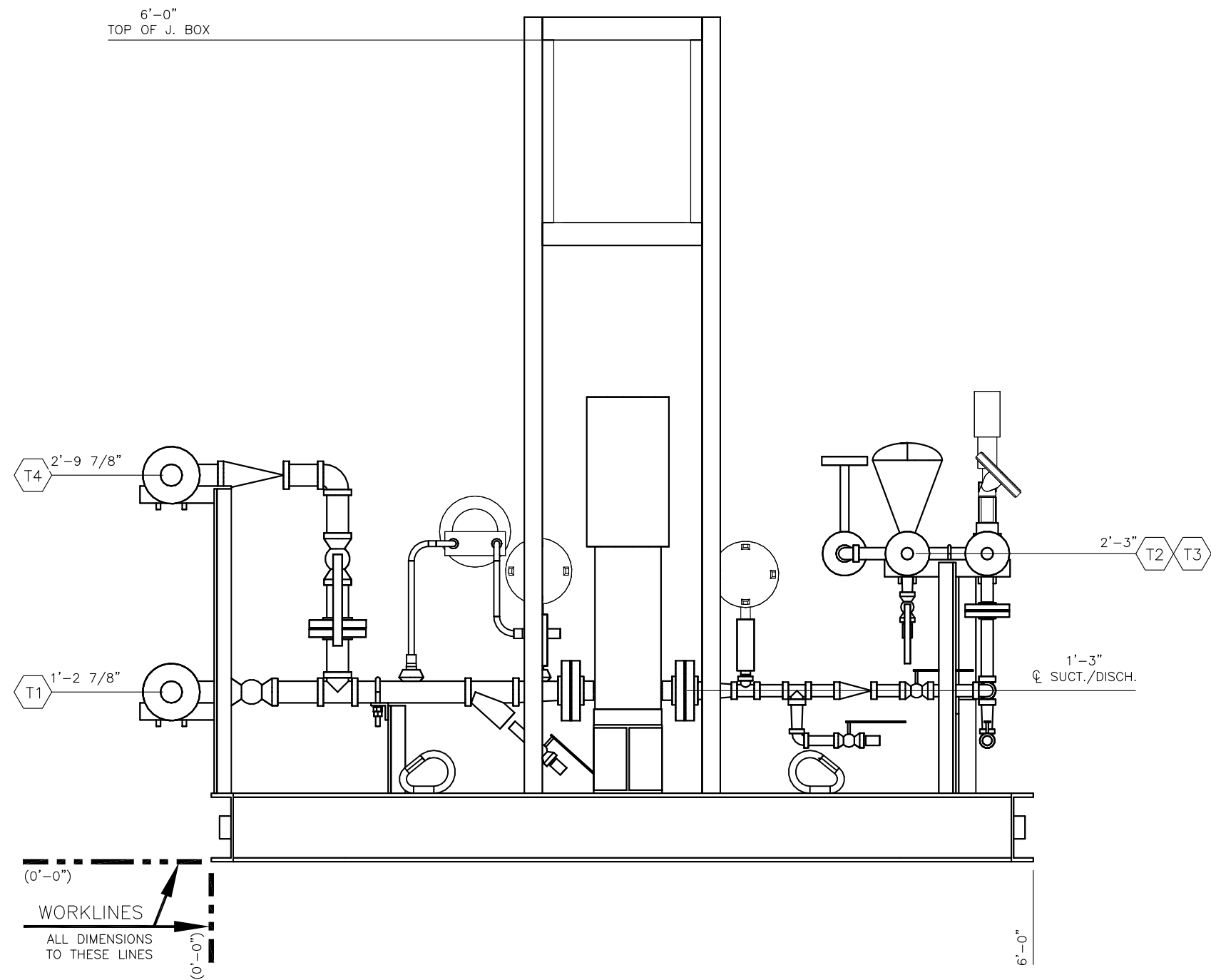


TIE IN SCHEDULE		
MK	DESCRIPTION	SIZE/TYPE
T1	PUMP SUCTION	1 1/2" 150# RF 304SS
T2	TO SCR SYSTEMS	3/4" 150# RF 304SS
T3	RECIR. TO STORAGE TANKS	3/4" 150# RF 304SS
T4	SERVICE WATER FLUSH	1 1/2" 150# RF 304SS



ELEVATION VIEW

FUEL TECH
CERTIFIED
 kkk 09/25/2012 4:54:58 PM

metso Approved
For Fabrication

By Andy Bilmanis on Oct 09, 2012

This review does not supersede requirements of purchase order, design drawings, specifications, codes or regulations. The contractor / supplier is not relieved from responsibility for errors or omission.

- NOTES:
- FOR PLAN VIEW SEE DWG. NO.: G-25015-01.
 - FOR END VIEW SEE DWG. NO.: G-25015-03.
 - FOR ISO VIEW SEE DWG. NO.: G-25015-04.
 - ALL DIMENSIONS ± 1/4".

IFS
INTEGRATED FLOW SOLUTIONS
 6461 REYNOLDS RD, TYLER, TEXAS, USA 75708
 PHONE NUMBER: +1 (903) 595-6511
 EMAIL: SUPPORT@IFSOLUTIONS.COM

REV.	DATE	DESCRIPTION	DES	ENG
2	18JUL12	REVISED PER CUSTOMER COMMENTS	RM	RC
1	25JUN12	REVISED SUCTION PIPING	RM	RC
0	27FEB12	APPROVED FOR CONSTRUCTION	RM	RC
B	06JAN12	ISSUED FOR CUSTOMER APPROVAL	RM	RC
A	15DEC11	ISSUED FOR CUSTOMER APPROVAL	RM	RC

PROJECT: GAINESVILLE RENEWABLE ENERGY CENTER (GREC)
 CUSTOMER NAME: FUEL TECH
 END USER: GAINESVILLE RENEWABLE ENERGY CENTER (GREC)
 SYSTEM DESCRIPTION: FORWARDING SKID
 CUSTOMER PO#: 34081-1
 ESTIMATED DRY WEIGHT: 1500 LBS.
 ESTIMATED OPERATING WEIGHT: 1550 LBS.

GENERAL ARRANGEMENT FORWARDING SKID

CLIENT No.: **P00090759**

SCALE: 1"=1'-0"	SECTION	JOB	SHEET	TOTAL SHEETS	REV.
PM.: D. POLLAN		G - 25015 - 02		4	2

THIS DRAWING IS THE PROPERTY OF INTEGRATED FLOW SOLUTIONS AND SHALL NOT BE REPRODUCED, COPIED, LENT, NOR USED FOR ANY PURPOSE OTHER THAN THAT WHICH IT IS FURNISHED EXCEPT BY WRITTEN PERMISSION.